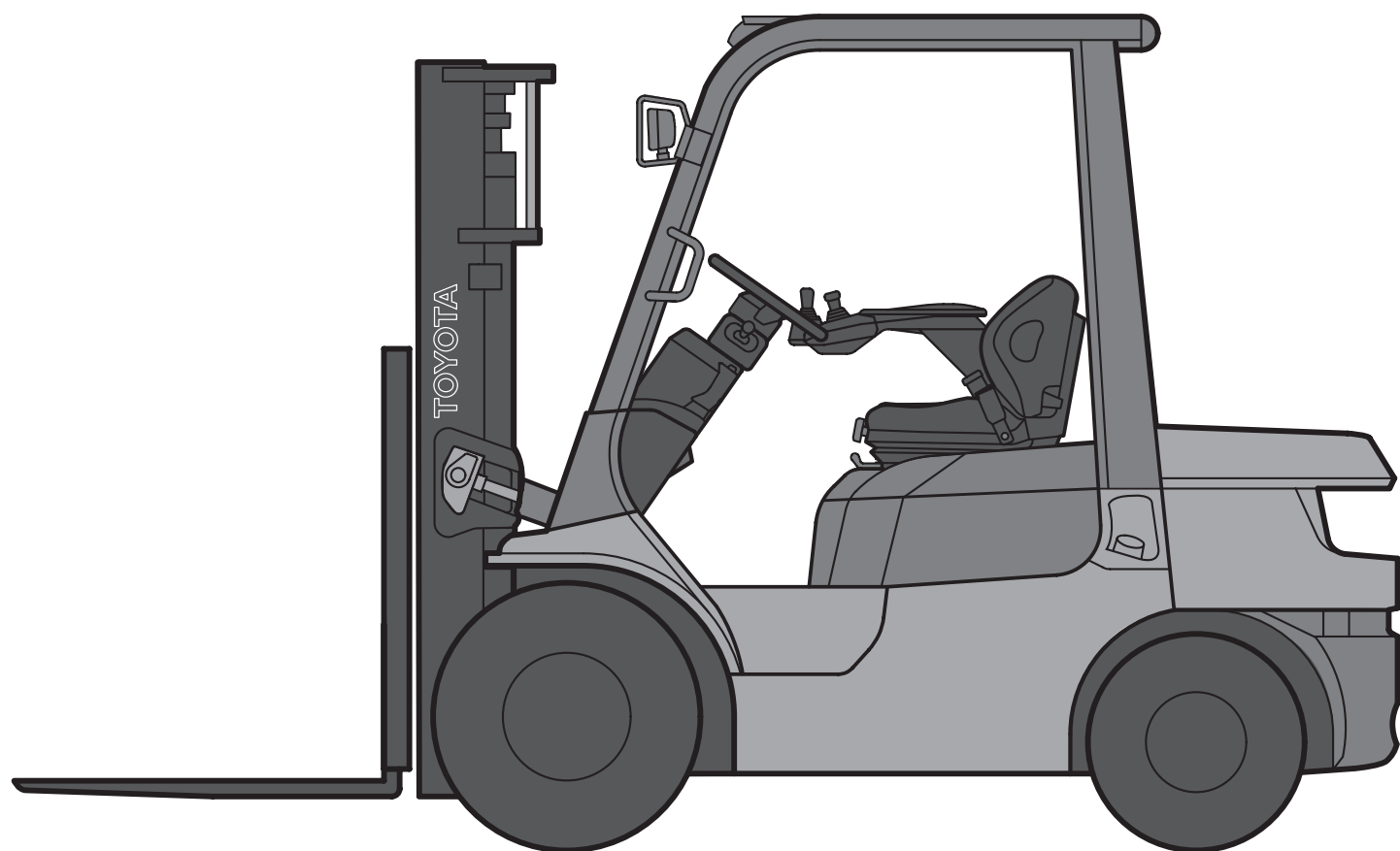


Engine Powered Forklift

7FGF/7FDF and 7FG/7FD

1.5 to 5.0 ton

Series



mainline
PLANT • ACCESS • TRAINING • POWER

 **TOYOTA**
INDUSTRIAL EQUIPMENT

1,500 - 1,750 kg

MAIN VEHICLE SPECIFICATIONS

| | | | | TOYOTA | TOYOTA | TOYOTA | TOYOTA | | |
|-----------------|--|--|---|-----------------|------------------|------------------|------------------|------------------|------------|
| Characteristics | 1.1 | Manufacturer | | TOYOTA | TOYOTA | TOYOTA | TOYOTA | | |
| | 1.2 | Model | | 42-7FGF15 | 02-7FDF15 | 42-7FGF18 | 02-7FDF18 | | |
| | 1.3 | Power | | LPG | diesel | LPG | diesel | | |
| | 1.4 | Operator Type | | rider seated | rider seated | rider seated | rider seated | | |
| | 1.5 | Load capacity/rated load | Q | kg | 1500 | 1500 | 1750 | 1750 | |
| | 1.6 | Load centre | c | mm | 500 | 500 | 500 | 500 | |
| | 1.8 | Load distance, centre of drive axle to fork | x | mm | 410 | 410 | 410 | 410 | |
| | 1.9 | Wheelbase | y | mm | 1410 | 1410 | 1410 | 1410 | |
| | Weight | 2.1 | Truck weight ¹⁾ | | kg | 2640 | 2710 | 2770 | 2840 |
| 2.2 | | Axle loadings, laden front/rear | | kg | 3630/510 | 3660/550 | 4000/520 | 4030/560 | |
| 2.3 | | Axle loadings, unladen front/rear | | kg | 1170/1470 | 1200/1510 | 1130/1640 | 1160/1680 | |
| Tyres, chassis | 3.1 | Tyres - pneumatic (P), pneumatic shaped cushion (SE), solid rubber (R) | | | P | P | P | P | |
| | 3.2 | Tyre size - front | | | 6.50-10-10PR (I) | 6.50-10-10PR (I) | 6.50-10-10PR (I) | 6.50-10-10PR (I) | |
| | 3.3 | Tyre size - rear | | | 5.00-8-8PR (I) | 5.00-8-8PR (I) | 5.00-8-8PR (I) | 5.00-8-8PR (I) | |
| | 3.5 | Wheels - number front/rear (x = driven wheels) | | | 2x/2 | 2x/2 | 2x/2 | 2x/2 | |
| | 3.6 | Tread - front | b ₁₀ | mm | 890 | 890 | 890 | 890 | |
| | 3.7 | Tread - rear | b ₁₁ | mm | 895 | 895 | 895 | 895 | |
| | Dimensions | 4.1 | Tilt of mast/fork carriage forward/backward | | α/β | deg | 6/10 | 6/10 | 6/10 |
| 4.2 | | Height, mast lowered | | h ₁ | mm | 1995 | 1995 | 1995 | |
| 4.3 | | Free lift | | h ₂ | mm | 150 | 150 | 150 | |
| 4.4 | | Lift | | h ₃ | mm | 3000 | 3000 | 3000 | |
| 4.5 | | Height, mast extended | | h ₄ | mm | 4220 | 4220 | 4220 | |
| 4.7 | | Height of overhead guard | | h ₆ | mm | 2080 | 2080 | 2080 | |
| 4.8 | | Seat height | | h ₇ | mm | 1020 | 1020 | 1020 | |
| 4.12 | | Coupling height | | h ₁₀ | mm | 280 | 280 | 280 | |
| 4.19 | | Overall length | | l ₁ | mm | 3250 | 3250 | 3280 | 3280 |
| 4.20 | | Length to face of forks | | l ₂ | mm | 2250 | 2250 | 2280 | 2280 |
| 4.21 | | Overall width | | b ₁ | mm | 1070 | 1070 | 1070 | 1070 |
| 4.22 | | Fork dimensions | | s/e/l | mm | 40/80/1000 | 40/80/1000 | 40/80/1000 | 40/80/1000 |
| 4.23 | | Fork carriage DIN 15 173, class/type A,B | | | | II | II | II | II |
| 4.24 | | Fork carriage width | | b ₃ | mm | 920 | 920 | 920 | 920 |
| 4.31 | | Ground clearance, laden, below mast | | m ₁ | mm | 115 | 115 | 115 | 115 |
| 4.32 | | Ground clearance, centre of wheelbase | | m ₂ | mm | 135 | 135 | 135 | 135 |
| 4.33 | | Aisle width for pallets 1000x1200 wide* | | A _{st} | mm | 3570 | 3570 | 3590 | 3590 |
| 4.34 | Aisle width for pallets 800x1200 long* | | A _{st} | mm | 3770 | 3770 | 3790 | 3790 | |
| 4.35 | Turning radius | | W _a | mm | 1960 | 1960 | 1980 | 1980 | |
| 4.36 | Internal turning radius | | b ₁₃ | mm | 570 | 570 | 570 | 570 | |
| Performance | 5.1 | Travel speed, laden/unladen | | km/h | 18.5/19 | 19/19.5 | 18.5//19 | 19/19.5 | |
| | 5.2 | Lift speed, laden/unladen | | m/s | 0.60/0.64 | 0.65/0.67 | 0.60/0.64 | 0.65/0.67 | |
| | 5.3 | Lowering speed, laden/unladen | | m/s | 0.50/0.55 | 0.50/0.55 | 0.50/0.55 | 0.50/0.55 | |
| | 5.6 | Max. drawbar pull, laden/unladen | | N | 17500/6300 | 17500/6800 | 17500/6300 | 17500/6300 | |
| | 5.7 | Gradeability, laden ²⁾ | | % | 41 | 42 | 36 | 38 | |
| | 5.8 | Max. gradeability, laden/unladen ²⁾ | | % | 45/22 | 45/22 | 41/20 | 42/20 | |
| | 5.9 | Acceleration time, laden/unladen | | s | | | | | |
| 5.10 | Service brake | | | hydraulic | hydraulic | hydraulic | hydraulic | | |
| Engine | 7.1 | Engine manufacturer/type | | | TOYOTA 4Y | TOYOTA 1DZ-II | TOYOTA 4Y | TOYOTA 1DZ-II | |
| | 7.2 | Engine power acc to ISO 1585 | | kW | 37 | 40 | 37 | 40 | |
| | 7.3 | Rated speed | | 1/min | 2400 | 2400 | 2400 | 2400 | |
| | 7.4 | No. of cylinders/displacement | | cm ³ | 4/2237 | 4/2486 | 4/2237 | 4/2486 | |
| | 7.5 | Fuel consumption acc to VDI cycle | | l/h | | | | | |
| Others | 8.2 | Operating pressure for attachments | | bar | 118 | 118 | 118 | 118 | |
| | 8.3 | Oil volume for attachments | | l/min | 56 | 58 | 56 | 58 | |
| | 8.4 | Sound level at the driver's ear according to EN 12 053 | | dB(A) | 78 | 81 | 78 | 81 | |
| | 8.5 | Towing coupling, type DIN | | | | | | | |

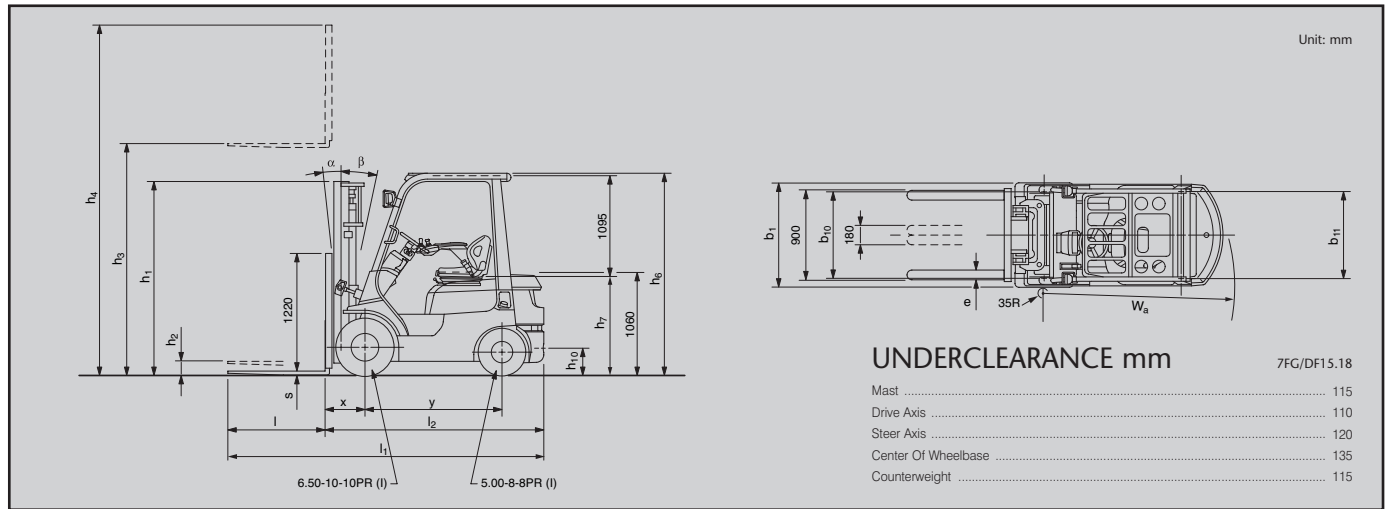
* aisle width calculation based on VDI 2198

¹⁾ At 1,5km/h

²⁾ Computed values

7FG/DF15, 7FG/DF18

DIMENSIONAL DRAWINGS



SPECIAL TREAD

| Model | 7FGF/7FDF15.18 | |
|------------------------|------------------|-----------------|
| Front Tyre Single/Dual | Single | Dual |
| Front Tyre Size | 6.50-10-10PR (I) | 6.00-9-10PR (I) |
| Overall Width | mm 1070 | 1430 |
| Tread, Front | mm 890 | 1085 |

MAST SPECIFICATION & RATED CAPACITIES

| Model | Mast Type | Maximum Fork Height h_3 | Overall Height | | | Free Lift | | Single Tyre | | | Dual Tyre | |
|----------|-----------|------------------------------|------------------|---|--------------------------------|--------------------------------------|------------|-------------|-------------------------------|------------|-----------|-------------------------------|
| | | | Lowered h_1 | Extended Without Load Backrest h_4 | Without Load Backrest h_2 | With Standard Load Backrest h_2 | Tilt Range | | Load Capacity at 500 mm LC | Tilt Range | | Load Capacity at 500 mm LC |
| | | | | | | | FWD | BWD | | FWD | BWD | |
| mm | mm | mm | mm | mm | mm | deg | deg | kg | deg | deg | kg | |
| 7FG/DF15 | V | 3000 | 1995 | 3605 | 150 | 150 | 6 | 10 | 1500 | 7 | 9 | 1500 |
| | | 3300 | 2145 | 3905 | 150 | 150 | 6 | 10 | 1500 | 7 | 9 | 1500 |
| | | 3500 | 2245 | 4105 | 150 | 150 | 6 | 10 | 1500 | 7 | 9 | 1500 |
| | | 3700 | 2405 | 4305 | 150 | 150 | 6 | 10 | 1500 | 7 | 9 | 1500 |
| | | 4000 | 2595 | 4605 | 150 | 150 | 6 | 10 | 1500 | 7 | 9 | 1500 |
| | | 4500 | 2845 | 5105 | 150 | 150 | 6 | 6 | 1450 | 7 | 9 | 1450 |
| | 5000 | 3095 | 5605 | 150 | 150 | 6 | 6 | 1300 | 7 | 5 | 1350 | |
| | FV | 3000 | 1995 | 3560 | 1410 [1150] | 780 | 6 | 10 (6) | 1500 | 7 | 9 | 1500 |
| | | 3300 | 2145 | 3860 | 1560 [1300] | 930 | 6 | 10 (6) | 1500 | 7 | 9 | 1500 |
| | | 3500 | 2245 | 4060 | 1660 [1400] | 1030 | 6 | 10 (6) | 1500 | 7 | 9 | 1500 |
| | | 3700 | 2405 | 4260 | 1820 [1560] | 1190 | 6 | 10 (6) | 1500 | 7 | 9 | 1500 |
| | | 4000 | 2595 | 4560 | 2010 [1750] | 1380 | 6 | 10 (6) | 1500 | 7 | 9 | 1500 |
| | | 4500 | 2845 | 5060 | 2210 [1940] | 1570 | 6 | 6 | 1400 | 7 | 5 | 1400 |
| | FSV | 3700 | 1795 | 4235 | 1260 [1190] | 580 | 6 | 6 | 1400 | 7 | 5 | 1400 |
| | | 4000 | 1895 | 4535 | 1360 [1290] | 680 | 6 | 6 | 1400 | 7 | 5 | 1400 |
| | | 4300 | 1995 | 4835 | 1460 [1390] | 780 | 6 | 6 | 1400 | 7 | 5 | 1400 |
| | | 4700 | 2145 | 5235 | 1610 [1540] | 930 | 6 | 6 | 1350 | 7 | 5 | 1350 |
| | | 5000 | 2245 | 5535 | 1710 [1640] | 1030 | 6 | 6 | 1250 | 7 | 5 | 1300 |
| 5500 | | 2405 | 6035 | 1870 [1800] | 1190 | 6 | 6 | 950 | 7 | 5 | 1250 | |
| 6000 | 2595 | 6535 | 2060 [1990] | 1380 | 6 | 6 | 700 | 7 | 5 | 1100 | | |
| 6500 | 2845 | 6785 | 2310 | 1630 | - | - | - | 7 | 5 | 900 | | |
| 7FG/DF18 | V | 3000 | 1995 | 3605 | 150 | 150 | 6 | 10 | 1750 | 7 | 9 | 1750 |
| | | 3300 | 2145 | 3905 | 150 | 150 | 6 | 10 | 1750 | 7 | 9 | 1750 |
| | | 3500 | 2245 | 4105 | 150 | 150 | 6 | 10 | 1750 | 7 | 9 | 1750 |
| | | 3700 | 2405 | 4305 | 150 | 150 | 6 | 10 | 1750 | 7 | 9 | 1750 |
| | | 4000 | 2595 | 4605 | 150 | 150 | 6 | 10 | 1650 | 7 | 9 | 1650 |
| | | 4500 | 2845 | 5105 | 150 | 150 | 6 | 6 | 1600 | 7 | 9 | 1600 |
| | 5000 | 3095 | 5605 | 150 | 150 | 6 | 6 | 1550 | 7 | 5 | 1550 | |
| | FV | 3000 | 1995 | 3560 | 1410 [1150] | 780 | 6 | 10 (6) | 1750 | 7 | 9 | 1750 |
| | | 3300 | 2145 | 3860 | 1560 [1300] | 930 | 6 | 10 (6) | 1750 | 7 | 9 | 1750 |
| | | 3500 | 2245 | 4060 | 1660 [1400] | 1030 | 6 | 10 (6) | 1750 | 7 | 9 | 1750 |
| | | 3700 | 2405 | 4260 | 1820 [1560] | 1190 | 6 | 10 (6) | 1750 | 7 | 9 | 1750 |
| | | 4000 | 2595 | 4560 | 2010 [1750] | 1380 | 6 | 10 (6) | 1650 | 7 | 9 | 1650 |
| | | 4500 | 2845 | 5060 | 2210 [1940] | 1570 | 6 | 6 | 1600 | 7 | 5 | 1600 |
| | FSV | 3700 | 1795 | 4235 | 1260 [1190] | 580 | 6 | 6 | 1600 | 7 | 5 | 1600 |
| | | 4000 | 1895 | 4535 | 1360 [1290] | 680 | 6 | 6 | 1600 | 7 | 5 | 1600 |
| | | 4300 | 1995 | 4835 | 1460 [1390] | 780 | 6 | 6 | 1550 | 7 | 5 | 1550 |
| | | 4700 | 2145 | 5235 | 1610 [1540] | 930 | 6 | 6 | 1500 | 7 | 5 | 1500 |
| | | 5000 | 2245 | 5535 | 1710 [1640] | 1030 | 6 | 6 | 1450 | 7 | 5 | 1450 |
| 5500 | | 2405 | 6035 | 1870 [1800] | 1190 | 6 | 6 | 1100 | 7 | 5 | 1400 | |
| 6000 | 2595 | 6535 | 2060 [1990] | 1380 | 6 | 6 | 850 | 7 | 5 | 1200 | | |
| 6500 | 2845 | 6785 | 2310 | 1630 | - | - | - | 7 | 5 | 850 | | |

Note: Height of standard load backrest is 1220 mm; h_4 with standard load backrest is + 615 mm (V), + 660 mm (FV), + 685 mm (FSV)
 Data between "[]" is for when 'A4 piping' is selected
 Data between "()" is for when 'Steel cab' or 'Cab without doors' is selected

2,000 - 2,500 kg

MAIN VEHICLE SPECIFICATIONS

| | | | | TOYOTA | TOYOTA | TOYOTA | TOYOTA | TOYOTA | TOYOTA | |
|-----------------|--|--|---|-----------------|-----------------|------------------|------------------|------------------|------------------|------------------|
| Characteristics | 1.1 | Manufacturer | | | | TOYOTA | TOYOTA | TOYOTA | TOYOTA | |
| | 1.2 | Model | | | | 42-7FGF20 | 02-7FDF20 | 62-7FDF20 | 42-7FGF25 | |
| | 1.3 | Power | | | | LPG | diesel | diesel | LPG | |
| | 1.4 | Operator Type | | | | rider seated | rider seated | rider seated | rider seated | rider seated |
| | 1.5 | Load capacity/rated load | Q | kg | 2000 | 2000 | 2000 | 2500 | 2500 | 2500 |
| | 1.6 | Load centre | c | mm | 500 | 500 | 500 | 500 | 500 | 500 |
| | 1.8 | Load distance, centre of drive axle to fork | x | mm | 470 | 470 | 470 | 470 | 470 | 470 |
| | 1.9 | Wheelbase | y | mm | 1600 | 1600 | 1600 | 1600 | 1600 | 1600 |
| | Weight | 2.1 | Truck weight ¹⁾ | | | kg | 3450 | 3560 | 3520 | 3770 |
| 2.2 | | Axle loadings, laden front/rear | | | kg | 4740/710 | 4780/780 | 4770/750 | 5490/780 | 5530/850 |
| 2.3 | | Axle loadings, unladen front/rear | | | kg | 1540/1910 | 1580/1980 | 1570/1950 | 1470/2300 | 1510/2370 |
| Tyres, chassis | 3.1 | Tyres - pneumatic (P), pneumatic shaped cushion (SE), solid rubber (R) | | | | P | P | P | P | P |
| | 3.2 | Tyre size - front | | | | 7.00-12-12PR (I) | 7.00-12-12PR (I) | 7.00-12-12PR (I) | 7.00-12-12PR (I) | 7.00-12-12PR (I) |
| | 3.3 | Tyre size - rear | | | | 6.00-9-10PR (I) | 6.00-9-10PR (I) | 6.00-9-10PR (I) | 6.00-9-10PR (I) | 6.00-9-10PR (I) |
| | 3.5 | Wheels - number front/rear (x = driven wheels) | | | | 2x/2 | 2x/2 | 2x/2 | 2x/2 | 2x/2 |
| | 3.6 | Tread - front | b ₁₀ | mm | 960 | 960 | 960 | 960 | 960 | 960 |
| | 3.7 | Tread - rear | b ₁₁ | mm | 965 | 965 | 965 | 965 | 965 | 965 |
| | Dimensions | 4.1 | Tilt of mast/fork carriage forward/backward | | α/β | deg | 6/10 | 6/10 | 6/10 | 6/10 |
| 4.2 | | Height, mast lowered | | h ₁ | mm | 1995 | 1995 | 1995 | 1995 | 1995 |
| 4.3 | | Free lift | | h ₂ | mm | 150 | 150 | 150 | 150 | 150 |
| 4.4 | | Lift | | h ₃ | mm | 3000 | 3000 | 3000 | 3000 | 3000 |
| 4.5 | | Height, mast extended | | h ₄ | mm | 4220 | 4220 | 4220 | 4220 | 4220 |
| 4.7 | | Height of overhead guard | | h ₆ | mm | 2110 | 2110 | 2110 | 2110 | 2110 |
| 4.8 | | Seat height | | h ₇ | mm | 1055 | 1055 | 1055 | 1055 | 1055 |
| 4.12 | | Coupling height | | h ₁₀ | mm | 310 | 310 | 310 | 310 | 310 |
| 4.19 | | Overall length | | l ₁ | mm | 3545 | 3545 | 3545 | 3600 | 3600 |
| 4.20 | | Length to face of forks | | l ₂ | mm | 2545 | 2545 | 2545 | 2600 | 2600 |
| 4.21 | | Overall width | | b ₁ | mm | 1150 | 1150 | 1150 | 1150 | 1150 |
| 4.22 | | Fork dimensions | | s/e/l | mm | 40/100/1000 | 40/100/1000 | 40/100/1000 | 40/100/1000 | 40/100/1000 |
| 4.23 | | Fork carriage DIN 15 173, class/type A,B | | | | II | II | II | II | II |
| 4.24 | | Fork carriage width | | b ₃ | mm | 1020 | 1020 | 1020 | 1020 | 1020 |
| 4.31 | | Ground clearance, laden, below mast | | m ₁ | mm | 120 | 120 | 120 | 120 | 120 |
| 4.32 | | Ground clearance, centre of wheelbase | | m ₂ | mm | 170 | 170 | 170 | 170 | 170 |
| 4.33 | | Aisle width for pallets 1000x1200 wide* | | A _{st} | mm | 3840 | 3840 | 3840 | 3910 | 3910 |
| 4.34 | Aisle width for pallets 800x1200 long* | | A _{sl} | mm | 4040 | 4040 | 4040 | 4110 | 4110 | |
| 4.35 | Turning radius | | W _a | mm | 2170 | 2170 | 2170 | 2240 | 2240 | |
| 4.36 | Internal turning radius | | b ₁₃ | mm | 725 | 725 | 725 | 725 | 725 | |
| Performance | 5.1 | Travel speed, laden/unladen | | | km/h | 17.5/18 | 19/19.5 | 19/19.5 | 17.5/18 | 19/19.5 |
| | 5.2 | Lift speed, laden/unladen | | | m/s | 0.60/0.64 | 0.65/0.67 | 0.61/0.64 | 0.60/0.64 | 0.65/0.67 |
| | 5.3 | Lowering speed, laden/unladen | | | m/s | 0.50/0.50 | 0.50/0.50 | 0.50/0.50 | 0.50/0.50 | 0.50/0.50 |
| | 5.6 | Max. drawbar pull, laden/unladen | | | N | 18500/8800 | 20000/8800 | 17500/8800 | 18500/8300 | 20000/8300 |
| | 5.7 | Gradeability, laden ¹⁾ | | | % | 32 | 34 | 30 | 26 | 29 |
| | 5.8 | Max. gradeability, laden/unladen ²⁾ | | | % | 36/22 | 38/22 | 38/22 | 30/19 | 32/19 |
| | 5.9 | Acceleration time, laden/unladen | | | s | | | | | |
| 5.10 | Service brake | | | | hydraulic | hydraulic | hydraulic | hydraulic | hydraulic | |
| Engine | 7.1 | Engine manufacturer/type | | | | TOYOTA 4Y | TOYOTA 2Z | TOYOTA 1DZ-II | TOYOTA 4Y | TOYOTA 2Z |
| | 7.2 | Engine power acc to ISO 1585 | | | kW | 37 | 42 | 44 | 37 | 42 |
| | 7.3 | Rated speed | | | 1/min | 2400 | 2200 | 2600 | 2400 | 2200 |
| | 7.4 | No. of cylinders/displacement | | | cm ³ | 4/2237 | 4/3469 | 4/2486 | 4/2237 | 4/3469 |
| | 7.5 | Fuel consumption acc to VDI cycle | | | l/h | | | | | |
| Others | 8.2 | Operating pressure for attachments | | | bar | 147 | 147 | 147 | 147 | 147 |
| | 8.3 | Oil volume for attachments | | | l/min | 72 | 76 | 69 | 72 | 76 |
| | 8.4 | Sound level at the driver's ear according to EN 12 053 | | | dB(A) | 78 | 81 | 81 | 78 | 81 |
| | 8.5 | Towing coupling, type DIN | | | | | | | | |

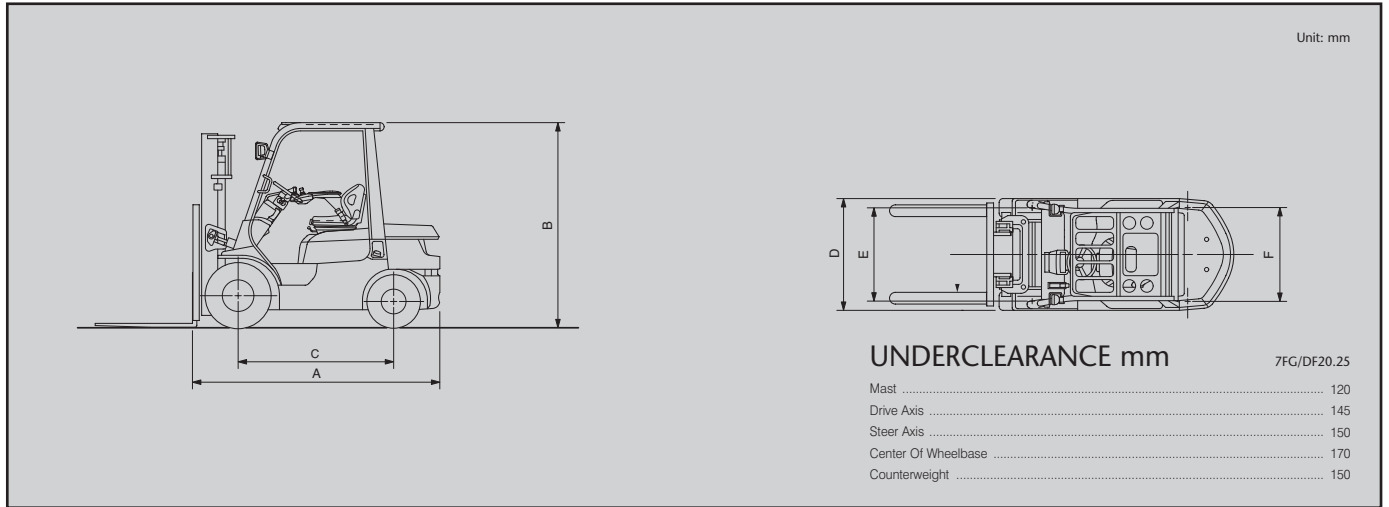
* aisle width calculation based on VDI 2198

¹⁾ At 1,5km/h

²⁾ Computed values

7FG/DF20, 7FG/DF25

DIMENSIONAL DRAWINGS



SPECIAL TREAD

| Model | 7FGF/7FDF20,25 | |
|------------------------|------------------|------------------|
| Front Tyre Single/Dual | Single | Dual |
| Front Tyre Size | 7.00-12-12PR (I) | 7.00-12-12PR (I) |
| Overall Width | mm 1150 | 1610 |
| Tread, Front | mm 960 | 1190 |

MAST SPECIFICATION & RATED CAPACITIES

| Model | Mast Type | Maximum Fork Height h ₃ | Overall Height | | Free Lift | | Single Tyre | | | Dual Tyre | | |
|----------|-----------|---------------------------------------|---------------------------|--|---|---|-------------|------|-------------------------------|------------|------|-------------------------------|
| | | | Lowered h ₁ | Extended Without Load Backrest h ₄ | Without Load Backrest h ₂ | With Standard Load Backrest h ₂ | Tilt Range | | Load Capacity at 500 mm LC | Tilt Range | | Load Capacity at 500 mm LC |
| | | | | | | | FWD | BWD | | FWD | BWD | |
| mm | mm | mm | mm | mm | mm | deg | deg | kg | deg | deg | kg | |
| 7FG/DF20 | V | 3000 | 1995 | 3650 | 150 | 150 | 6 | 10 | 2000 | 6 | 10 | 2000 |
| | | 3300 | 2145 | 3950 | 150 | 150 | 6 | 10 | 2000 | 6 | 10 | 2000 |
| | | 3500 | 2245 | 4150 | 150 | 150 | 6 | 10 | 2000 | 6 | 10 | 2000 |
| | | 3700 | 2405 | 4350 | 150 | 150 | 6 | 10 | 2000 | 6 | 10 | 2000 |
| | | 4000 | 2595 | 4650 | 150 | 150 | 6 | 10 | 2000 | 6 | 10 | 2000 |
| | | 4500 | 2845 | 5150 | 150 | 150 | 6 | 6 | 1950 | 6 | 10 | 1950 |
| | 5000 | 3095 | 5650 | 150 | 150 | 6 | 6 | 1850 | 6 | 6 | 1900 | |
| | FV | 3000 | 1995 | 3590 | 1400 [1180] | 775 | 6 | 10 | 2000 | 6 | 10 | 2000 |
| | | 3300 | 2145 | 3890 | 1550 [1330] | 925 | 6 | 10 | 2000 | 6 | 10 | 2000 |
| | | 3500 | 2245 | 4090 | 1650 [1430] | 1025 | 6 | 10 | 2000 | 6 | 10 | 2000 |
| | | 3700 | 2405 | 4290 | 1810 [1590] | 1185 | 6 | 10 | 2000 | 6 | 10 | 2000 |
| | | 4000 | 2595 | 4590 | 2000 [1780] | 1375 | 6 | 10 | 2000 | 6 | 10 | 2000 |
| | | 4500 | 2845 | 5090 | 2275 [2240] | 1625 | - | - | - | 6 | 6 | 1550 |
| | FSV | 3700 | 1795 | 4250 | 1225 [1190] | 575 | 6 | 6 | 2000 | 6 | 6 | 2000 |
| | | 4000 | 1895 | 4550 | 1325 [1290] | 675 | 6 | 6 | 1950 | 6 | 6 | 1950 |
| | | 4300 | 1995 | 4850 | 1425 [1390] | 775 | 6 | 6 | 1900 | 6 | 6 | 1950 |
| | | 4700 | 2145 | 5250 | 1575 [1540] | 925 | 6 | 6 | 1850 | 6 | 6 | 1900 |
| | | 5000 | 2245 | 5550 | 1675 [1640] | 1025 | 6 | 6 | 1450 | 6 | 6 | 1850 |
| 5500 | | 2405 | 6050 | 1835 [1800] | 1185 | 6 | 6 | 1200 | 6 | 6 | 1800 | |
| 6000 | 2595 | 6550 | 2025 [1990] | 1375 | 6 | 6 | 850 | 6 | 6 | 1600 | | |
| 6500 | 2845 | 7050 | 2275 [2240] | 1625 | - | - | - | 6 | 6 | 1550 | | |
| 7FG/DF25 | V | 3000 | 1995 | 3650 | 150 | 150 | 6 | 10 | 2500 | 6 | 10 | 2500 |
| | | 3300 | 2145 | 3950 | 150 | 150 | 6 | 10 | 2500 | 6 | 10 | 2500 |
| | | 3500 | 2245 | 4150 | 150 | 150 | 6 | 10 | 2500 | 6 | 10 | 2500 |
| | | 3700 | 2405 | 4350 | 150 | 150 | 6 | 10 | 2500 | 6 | 10 | 2500 |
| | | 4000 | 2595 | 4650 | 150 | 150 | 6 | 10 | 2500 | 6 | 10 | 2500 |
| | | 4500 | 2845 | 5150 | 150 | 150 | 6 | 6 | 2100 | 6 | 10 | 2450 |
| | 5000 | 3095 | 5650 | 150 | 150 | 6 | 6 | 1700 | 6 | 6 | 2400 | |
| | FV | 3000 | 1995 | 3590 | 1400 [1180] | 775 | 6 | 10 | 2500 | 6 | 10 | 2500 |
| | | 3300 | 2145 | 3890 | 1550 [1330] | 925 | 6 | 10 | 2500 | 6 | 10 | 2500 |
| | | 3500 | 2245 | 4090 | 1650 [1430] | 1025 | 6 | 10 | 2500 | 6 | 10 | 2500 |
| | | 3700 | 2405 | 4290 | 1810 [1590] | 1185 | 6 | 10 | 2500 | 6 | 10 | 2500 |
| | | 4000 | 2595 | 4590 | 2000 [1780] | 1375 | 6 | 10 | 2500 | 6 | 10 | 2500 |
| | | 4500 | 2845 | 5090 | 2275 [2240] | 1625 | - | - | - | 6 | 6 | 1550 |
| | FSV | 3700 | 1795 | 4250 | 1225 [1190] | 575 | 6 | 6 | 2500 | 6 | 6 | 2500 |
| | | 4000 | 1895 | 4550 | 1325 [1290] | 675 | 6 | 6 | 2500 | 6 | 6 | 2500 |
| | | 4300 | 1995 | 4850 | 1425 [1390] | 775 | 6 | 6 | 2300 | 6 | 6 | 2500 |
| | | 4700 | 2145 | 5250 | 1575 [1540] | 925 | 6 | 6 | 2000 | 6 | 6 | 2450 |
| | | 5000 | 2245 | 5550 | 1675 [1640] | 1025 | 6 | 6 | 1500 | 6 | 6 | 2400 |
| 5500 | | 2405 | 6050 | 1835 [1800] | 1185 | 6 | 6 | 1250 | 6 | 6 | 2050 | |
| 6000 | 2595 | 6550 | 2025 [1990] | 1375 | 6 | 6 | 900 | 6 | 6 | 1700 | | |
| 6500 | 2845 | 7050 | 2275 [2240] | 1625 | - | - | - | 6 | 6 | 1550 | | |

Note: Height of standard load backrest is 1220 mm; h₂ with standard load backrest is + 570 mm (V), + 630 mm (FV), + 670 mm (FSV)
Data between "[]" is for when 'A4 piping' is selected

3,000 - 3,500 kg

MAIN VEHICLE SPECIFICATIONS

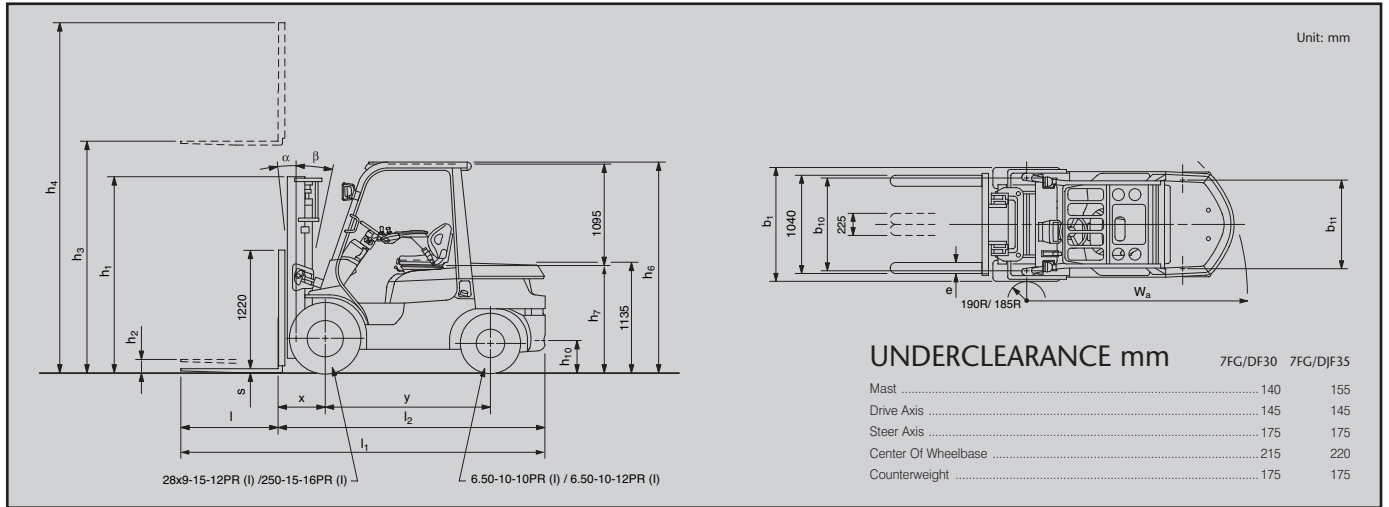
| | | | | TOYOTA | TOYOTA | TOYOTA | TOYOTA | TOYOTA | | |
|-----------------|--|--|---|-----------------|------------------|------------------|------------------|------------------|------------------|-------------|
| | | | | 02-7FGF30 | 02-7FDF30 | 62-7FDF30 | 02-7FGJF35 | 02-7FDJF35 | | |
| Characteristics | 1.1 | Manufacturer | | | | | | | | |
| | 1.2 | Model | | | | | | | | |
| | 1.3 | Power | | LPG | diesel | diesel | LPG | diesel | | |
| | 1.4 | Operator Type | | rider seated | rider seated | rider seated | rider seated | rider seated | | |
| | 1.5 | Load capacity/rated load | Q | kg | 3000 | 3000 | 3000 | 3500 | 3500 | |
| | 1.6 | Load centre | c | mm | 500 | 500 | 500 | 500 | 500 | |
| | 1.8 | Load distance, centre of drive axle to fork | x | mm | 485 | 485 | 485 | 495 | 495 | |
| | 1.9 | Wheelbase | y | mm | 1700 | 1700 | 1700 | 1700 | 1700 | |
| | Weight | 2.1 | Truck weight ¹⁾ | | kg | 4340 | 4450 | 4410 | 4780 | 4890 |
| 2.2 | | Axle loadings, laden front/rear | | kg | 6430/910 | 6470/980 | 6460/950 | 7290/990 | 7340/1050 | |
| 2.3 | | Axle loadings, unladen front/rear | | kg | 1690/2650 | 1740/2710 | 1720/2690 | 1740/3040 | 1780/3110 | |
| Tyres, chassis | 3.1 | Tyres - pneumatic (P), pneumatic shaped cushion (SE), solid rubber (R) | | | P | P | P | P | | |
| | 3.2 | Tyre size - front | | | 28x9-15-12PR (I) | 28x9-15-12PR (I) | 28x9-15-12PR (I) | 250-15-16PR (I) | 250-15-16PR (I) | |
| | 3.3 | Tyre size - rear | | | 6.50-10-10PR (I) | 6.50-10-10PR (I) | 6.50-10-10PR (I) | 6.50-10-12PR (I) | 6.50-10-12PR (I) | |
| | 3.5 | Wheels - number front/rear (x = driven wheels) | | | 2x/2 | 2x/2 | 2x/2 | 2x/2 | 2x/2 | |
| | 3.6 | Tread - front | b ₁₀ | mm | 1010 | 1010 | 1010 | 1060 | 1060 | |
| | 3.7 | Tread - rear | b ₁₁ | mm | 965 | 965 | 965 | 965 | 965 | |
| | Dimensions | 4.1 | Tilt of mast/fork carriage forward/backward | | α/β | deg | 6/10 | 6/10 | 6/10 | 6/10 |
| 4.2 | | Height, mast lowered | | h ₁ | mm | 2020 | 2020 | 2020 | 2125 | 2125 |
| 4.3 | | Free lift | | h ₂ | mm | 135 | 135 | 135 | 135 | 135 |
| 4.4 | | Lift | | h ₃ | mm | 3000 | 3000 | 3000 | 3000 | 3000 |
| 4.5 | | Height, mast extended | | h ₄ | mm | 4220 | 4220 | 4220 | 4220 | 4220 |
| 4.7 | | Height of overhead guard | | h ₆ | mm | 2170 | 2170 | 2170 | 2180 | 2180 |
| 4.8 | | Seat height | | h ₇ | mm | 1110 | 1110 | 1110 | 1125 | 1125 |
| 4.12 | | Coupling height | | h ₁₀ | mm | 335 | 335 | 335 | 335 | 335 |
| 4.19 | | Overall length | | l ₁ | mm | 3745 | 3745 | 3745 | 3810 | 3810 |
| 4.20 | | Length to face of forks | | l ₂ | mm | 2745 | 2745 | 2745 | 2810 | 2810 |
| 4.21 | | Overall width | | b ₁ | mm | 1240 | 1240 | 1240 | 1290 | 1290 |
| 4.22 | | Fork dimensions | | s/e/l | mm | 45/100/1000 | 45/100/1000 | 45/100/1000 | 45/125/1000 | 45/125/1000 |
| 4.23 | | Fork carriage DIN 15 173, class/type A,B | | | | III | III | III | III | III |
| 4.24 | | Fork carriage width | | b ₃ | mm | 1070 | 1070 | 1070 | 1070 | 1070 |
| 4.31 | | Ground clearance, laden, below mast | | m ₁ | mm | 140 | 140 | 140 | 155 | 155 |
| 4.32 | | Ground clearance, centre of wheelbase | | m ₂ | mm | 215 | 215 | 215 | 220 | 220 |
| 4.33 | | Aisle width for pallets 1000x1200 wide* | | A _{st} | mm | 4085 | 4085 | 4085 | 4195 | 4195 |
| 4.34 | Aisle width for pallets 800x1200 long* | | A _{st} | mm | 4285 | 4285 | 4285 | 4395 | 4395 | |
| 4.35 | Turning radius | | W _a | mm | 2400 | 2400 | 2400 | 2500 | 2500 | |
| 4.36 | Internal turning radius | | b ₁₃ | mm | 810 | 810 | 810 | 830 | 830 | |
| Performance | 5.1 | Travel speed, laden/unladen | | | km/h | 18.5/19 | 19/19.5 | 18.5/19 | 18.5/19 | 19/19.5 |
| | 5.2 | Lift speed, laden/unladen | | | m/s | 0.51/0.55 | 0.55/0.57 | 0.50/0.53 | 0.41/0.45 | 0.44/0.46 |
| | 5.3 | Lowering speed, laden/unladen | | | m/s | 0.50/0.50 | 0.50/0.50 | 0.50/0.50 | 0.50/0.45 | 0.50/0.45 |
| | 5.6 | Max. drawbar pull, laden/unladen | | | N | 18000/9800 | 19500/9800 | 18500/9800 | 17000/9800 | 18500/9800 |
| | 5.7 | Gradeability, laden ²⁾ | | | % | 22 | 23 | 22 | 19 | 20 |
| | 5.8 | Max. gradeability, laden/unladen ³⁾ | | | % | 25/19 | 26/19 | 25/19 | 21/17 | 22/17 |
| | 5.9 | Acceleration time, laden/unladen | | | s | | | | | |
| 5.10 | Service brake | | | | hydraulic | hydraulic | hydraulic | hydraulic | hydraulic | |
| Engine | 7.1 | Engine manufacturer/type | | | | TOYOTA 4Y | TOYOTA 2Z | TOYOTA 1DZ-II | TOYOTA 4Y | TOYOTA 2Z |
| | 7.2 | Engine power acc to ISO 1585 | | | kW | 40 | 42 | 44 | 40 | 42 |
| | 7.3 | Rated speed | | | 1/min | 2600 | 2200 | 2600 | 2600 | 2200 |
| | 7.4 | No. of cylinders/displacement | | | cm ³ | 4/2237 | 4/3469 | 4/2486 | 4/2237 | 4/3469 |
| | 7.5 | Fuel consumption acc to VDI cycle | | | l/h | | | | | |
| Others | 8.2 | Operating pressure for attachments | | | bar | 147 | 147 | 147 | 157 | 157 |
| | 8.3 | Oil volume for attachments | | | l/min | 69 | 74 | 66 | 68 | 73 |
| | 8.4 | Sound level at the driver's ear according to EN 12 053 | | | dB(A) | 78 | 81 | 81 | 78 | 81 |
| | 8.5 | Towing coupling, type DIN | | | | | | | | |

* aisle width calculation based on VDI 2198

¹⁾ At 1,5km/h

²⁾ Computed values

DIMENSIONAL DRAWINGS



SPECIAL TREAD

| Model | 7FGF/7DF30 | | 7FGJF/7DJF35 | |
|------------------------|------------------|------------------|-----------------|------------------|
| Front Tyre Single/Dual | Dual | Dual | Dual | Dual |
| Front Tyre Size | 28x9-15-12PR (I) | 28x8-15-12PR (I) | 250-15-16PR (I) | 28x8-15-12PR (I) |
| Overall Width | 1240 | 1675 | 1290 | 1715 |
| Tread, Front | 1010 | 1240 | 1060 | 1290 |

MAST SPECIFICATION & RATED CAPACITIES

| Model | Mast Type | Maximum Fork Height h ₃ | Overall Height | | | Free Lift | | Single Tyre | | | Dual Tyre | | |
|-----------|-----------|---------------------------------------|---------------------------|--|---|---|------------|-------------|-------------------------------|------------|-----------|-------------------------------|--|
| | | | Lowered h ₁ | Extended Without Load Backrest h ₄ | Without Load Backrest h ₂ | With Standard Load Backrest h ₂ | Tilt Range | | Load Capacity at 500 mm LC | Tilt Range | | Load Capacity at 500 mm LC | |
| | | | | | | | FWD | BWD | | FWD | BWD | | |
| mm | mm | mm | mm | mm | mm | deg | deg | kg | deg | deg | kg | | |
| 7FG/DF30 | V | 3000 | 2020 | 3710 | 135 | 135 | 6 | 10 | 3000 | 6 | 10 | 3000 | |
| | | 3300 | 2170 | 4010 | 135 | 135 | 6 | 10 | 3000 | 6 | 10 | 3000 | |
| | | 3500 | 2270 | 4210 | 135 | 135 | 6 | 10 | 3000 | 6 | 10 | 3000 | |
| | | 3700 | 2430 | 4410 | 135 | 135 | 6 | 10 | 3000 | 6 | 10 | 3000 | |
| | | 4000 | 2620 | 4710 | 135 | 135 | 6 | 10 | 3000 | 6 | 10 | 3000 | |
| | | 4500 | 2870 | 5210 | 135 | 135 | 6 | 6 | 3000 | 6 | 10 | 3000 | |
| | 5000 | 3120 | 5710 | 135 | 135 | 6 | 6 | 2600 | 6 | 6 | 3000 | | |
| | FV | 3000 | 2020 | 3605 | 1400 [1130] | 800 | 6 | 10 | 3000 | 6 | 10 | 3000 | |
| | | 3300 | 2170 | 3905 | 1550 [1280] | 950 | 6 | 10 | 3000 | 6 | 10 | 3000 | |
| | | 3500 | 2270 | 4105 | 1650 [1380] | 1050 | 6 | 10 | 3000 | 6 | 10 | 3000 | |
| | | 3700 | 2430 | 4305 | 1810 [1540] | 1210 | 6 | 10 | 3000 | 6 | 10 | 3000 | |
| | | 4000 | 2620 | 4605 | 2000 [1730] | 1400 | 6 | 10 | 3000 | 6 | 10 | 3000 | |
| | FSV | 3700 | 1920 | 4305 | 1305 [1100] | 700 | 6 | 6 | 3000 | 6 | 6 | 3000 | |
| | | 4000 | 2020 | 4605 | 1405 [1200] | 800 | 6 | 6 | 3000 | 6 | 6 | 3000 | |
| | | 4300 | 2170 | 4905 | 1555 [1350] | 950 | 6 | 6 | 3000 | 6 | 6 | 3000 | |
| | | 4700 | 2270 | 5305 | 1655 [1450] | 1050 | 6 | 6 | 3000 | 6 | 6 | 3000 | |
| | | 5000 | 2430 | 5605 | 1815 [1610] | 1210 | 6 | 6 | 2600 | 6 | 6 | 2950 | |
| | | 5500 | 2620 | 6105 | 2005 [1800] | 1400 | 6 | 6 | 1900 | 6 | 6 | 2650 | |
| | | 6000 | 2870 | 6605 | 2255 [2050] | 1650 | 6 | 6 | 1500 | 6 | 6 | 2050 | |
| | | 6500 | 3120 | 7105 | 2505 [2300] | 1900 | - | - | - | 6 | 6 | 1600 | |
| | | 7000 | 3370 | 7605 | 2755 [2550] | 2150 | - | - | - | 6 | 6 | 1200 | |
| 7FG/DJF35 | V | 3000 | 2125 | 3865 | 135 | 135 | 6 | 10 | 3500 | 6 | 10 | 3500 | |
| | | 3300 | 2305 | 4165 | 135 | 135 | 6 | 10 | 3500 | 6 | 10 | 3500 | |
| | | 3500 | 2405 | 4365 | 135 | 135 | 6 | 10 | 3500 | 6 | 10 | 3500 | |
| | | 3700 | 2505 | 4565 | 135 | 135 | 6 | 10 | 3500 | 6 | 10 | 3500 | |
| | | 4000 | 2755 | 4865 | 135 | 135 | 6 | 10 | 3500 | 6 | 10 | 3500 | |
| | | 4500 | 3005 | 5365 | 135 | 135 | 6 | 6 | 3500 | 6 | 10 | 3500 | |
| | 5000 | 3255 | 5865 | 135 | 135 | 6 | 6 | 3300 | 6 | 6 | 3400 | | |
| | FV | 3000 | 2125 | 3730 | 1395 [1110] | 905 | 6 | 10 | 3500 | 6 | 10 | 3500 | |
| | | 3300 | 2305 | 4030 | 1575 [1290] | 1085 | 6 | 10 | 3500 | 6 | 10 | 3500 | |
| | | 3500 | 2405 | 4230 | 1675 [1390] | 1185 | 6 | 10 | 3500 | 6 | 10 | 3500 | |
| | | 3700 | 2505 | 4430 | 1775 [1490] | 1285 | 6 | 10 | 3500 | 6 | 10 | 3500 | |
| | | 4000 | 2755 | 4730 | 2025 [1740] | 1535 | 6 | 10 | 3500 | 6 | 10 | 3500 | |
| | FSV | 3700 | 2035 | 4430 | 1305 | 815 | 6 | 6 | 3500 | 6 | 6 | 3500 | |
| | | 4000 | 2185 | 4730 | 1455 | 965 | 6 | 6 | 3500 | 6 | 6 | 3500 | |
| | | 4300 | 2235 | 5030 | 1505 | 1015 | 6 | 6 | 3500 | 6 | 6 | 3500 | |
| | | 4700 | 2445 | 5430 | 1715 | 1225 | 6 | 6 | 3400 | 6 | 6 | 3400 | |
| | | 5000 | 2635 | 5730 | 1905 | 1415 | 6 | 6 | 3300 | 6 | 6 | 3300 | |
| | | 5500 | 2885 | 6230 | 2155 | 1665 | 6 | 6 | 2700 | 6 | 6 | 3200 | |
| | | 6000 | 3135 | 6730 | 2405 | 1915 | 6 | 6 | 2000 | 6 | 6 | 2400 | |
| | | 6500 | 3385 | 7230 | 2655 | 2165 | - | - | - | 6 | 6 | 1650 | |
| | | 7000 | 3635 | 7730 | 2905 | 2415 | - | - | - | 6 | 6 | 900 | |

Note: Height of standard load backrest is 1220 mm; h₄ with standard load backrest is + 510/ 355 mm (7FG/DF30/7FG/DJF35 V), + 615/490 mm (7FG/DF30/7FG/DJF35 FV and FSV).
Data between "[]" is for when 'A4 piping' is selected

3,500 kg, at 600 mm LCP

MAIN VEHICLE SPECIFICATIONS

| | | | | | | |
|-----------------|--|--|---|-----------------|-------------------------|-------------------------|
| Characteristics | 1.1 | Manufacturer | | | TOYOTA | TOYOTA |
| | 1.2 | Model | | | 02-7FG35 | 42-7FD35 |
| | 1.3 | Power | | | gasoline | diesel |
| | 1.4 | Operator Type | | | rider seated | rider seated |
| | 1.5 | Load capacity/rated load | Q | kg | 4000 [3500] | 4000 [3500] |
| | 1.6 | Load centre | c | mm | 500 [600] | 500 [600] |
| | 1.8 | Load distance, centre of drive axle to fork | x | mm | 520 | 520 |
| | 1.9 | Wheelbase | y | mm | 1840 | 1840 |
| | Weight | 2.1 | Truck weight ¹⁾ | | kg | 5650 |
| 2.2 | | Axle loadings, laden front/rear | | kg | 8590/1050 ¹⁾ | 8610/1160 ¹⁾ |
| 2.3 | | Axle loadings, unladen front/rear | | kg | 2380/3270 | 2400/3380 |
| Tyres, chassis | 3.1 | Tyres - pneumatic (P), pneumatic shaped cushion (SE), solid rubber (R) | | | P | P |
| | 3.2 | Tyre size - front | | | 250-15-16PR(I) | 250-15-16PR(I) |
| | 3.3 | Tyre size - rear | | | 7.00-12-12PR(I) | 7.00-12-12PR(I) |
| | 3.5 | Wheels - number front/rear (x = driven wheels) | | | 2x/2 | 2x/2 |
| | 3.6 | Tread - front | b ₁₀ | mm | 1115 | 1115 |
| | 3.7 | Tread - rear | b ₁₁ | mm | 1090 | 1090 |
| | Dimensions | 4.1 | Tilt of mast/fork carriage forward/backward | α/β | deg | 6/12 |
| 4.2 | | Height, mast lowered | h ₁ | mm | 2110 | 2110 |
| 4.3 | | Free lift | h ₂ | mm | 110 | 110 |
| 4.4 | | Lift | h ₃ | mm | 3000 | 3000 |
| 4.5 | | Height, mast extended | h ₄ | mm | 4220 | 4220 |
| 4.7 | | Height of overhead guard | h ₆ | mm | 2190 | 2190 |
| 4.8 | | Seat height | h ₇ | mm | 1110 | 1110 |
| 4.12 | | Coupling height | h ₁₀ | mm | 370 | 370 |
| 4.19 | | Overall length | l ₁ | mm | 3995 | 3995 |
| 4.20 | | Length to face of forks | l ₂ | mm | 2925 | 2925 |
| 4.21 | | Overall width | b ₁ | mm | 1350 | 1350 |
| 4.22 | | Fork dimensions | s/e/l | mm | 50/140/1070 | 50/140/1070 |
| 4.23 | | Fork carriage DIN 15 173, class/type A,B | | | III | III |
| 4.24 | | Fork carriage width | b ₃ | mm | 1170 | 1170 |
| 4.31 | | Ground clearance, laden, below mast | m ₁ | mm | 140 | 140 |
| 4.32 | | Ground clearance, centre of wheelbase | m ₂ | mm | 190 | 190 |
| 4.33 | | Aisle width for pallets 1000x1200 wide* | A _{st} | mm | 4320 | 4320 |
| 4.34 | Aisle width for pallets 800x1200 long* | A _{sl} | mm | 4520 | 4520 | |
| 4.35 | Turning radius | W _a | mm | 2600 | 2600 | |
| 4.36 | Internal turning radius | b ₁₃ | mm | 840 | 840 | |
| Performance | 5.1 | Travel speed, laden/unladen | | km/h | 24/24.5 | 24/24 |
| | 5.2 | Lift speed, laden/unladen | | m/s | 0.51/0.55 | 0.51/0.55 |
| | 5.3 | Lowering speed, laden/unladen | | m/s | 0.50/0.55 | 0.50/0.55 |
| | 5.6 | Max. drawbar pull, laden/unladen | | N | 35300/13700 | 35300/13700 |
| | 5.7 | Gradeability, laden ²⁾ | | % | 38 | 39 |
| | 5.8 | Max. gradeability, laden/unladen ³⁾ | | % | 42/22 | 43/21 |
| | 5.9 | Acceleration time, laden/unladen | | s | | |
| 5.10 | Service brake | | | hydraulic | hydraulic | |
| Engine | 7.1 | Engine manufacturer/type | | | TOYOTA 1FZ | TOYOTA 14Z |
| | 7.2 | Engine power acc to ISO 1585 | | kW | 62 | 56 |
| | 7.3 | Rated speed | | 1/min | 2100 | 2100 |
| | 7.4 | No. of cylinders/displacement | | cm ³ | 6/4476 | 6/5204 |
| | 7.5 | Fuel consumption acc to VDI cycle | | l/h | | |
| Others | 8.2 | Operating pressure for attachments | | bar | 181 | 181 |
| | 8.3 | Oil volume for attachments | | l/min | 95 | 98 |
| | 8.4 | Sound level at the driver's ear according to EN 12 053 | | dB(A) | 82 | 83 |
| | 8.5 | Towing coupling, type DIN | | | | |

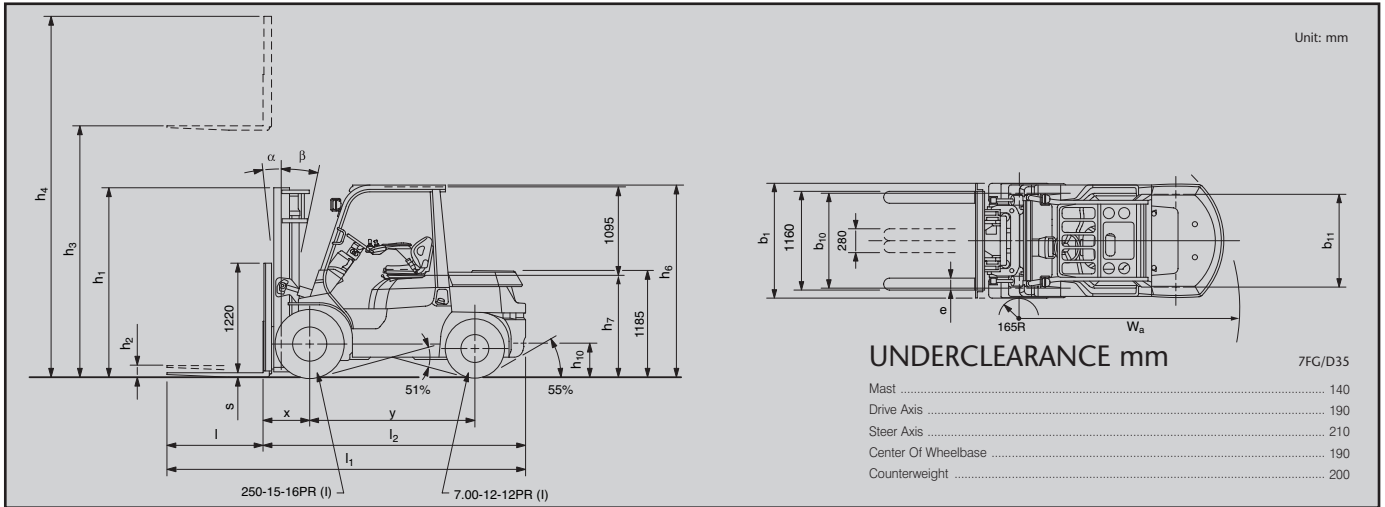
* aisle width calculation based on VDI 2198

¹⁾ With 600 mm load center: 7FG35 = 8010/1140 mm; 7FD35 = 8030/1250 mm

²⁾ At 1,5km/h

³⁾ Computed values

DIMENSIONAL DRAWINGS



SPECIAL TREAD

| Model | 7FG/7FD35 | | |
|------------------------|-----------------|---------------------|------------------|
| Front Tyre Single/Dual | Single | Single | Dual |
| Front Tyre Size | 250-15-16PR (l) | 28x12.5-15-18PR (l) | 28x8-15-12PR (l) |
| Overall Width | mm 1350 | 1450 | 1690 |
| Tread, Front | mm 1155 | 1150 | 1260 |

MAST SPECIFICATION & RATED CAPACITIES

| Model | Mast Type | Maximum Fork Height h_3 | Overall Height | | Free Lift | | Single Tyre | | | Dual Tyre | | | |
|---------|-----------|------------------------------|------------------|---|--------------------------------|--------------------------------------|-------------|-----|---|--------------------------------|-----|---|-------------|
| | | | Lowered h_1 | Extended Without Load Backrest h_4 | Without Load Backrest h_2 | With Standard Load Backrest h_2 | Tilt Range | | Load Capacity at 500 mm [600mm] LCP kg | Tilt Range | | Load Capacity at 500 mm [600mm] LCP kg | |
| | | | | | | | FWD | BWD | | FWD | BWD | | |
| | | mm | mm | mm | mm | mm | deg | deg | kg | deg | deg | kg | |
| 7FG/D35 | V | 3000 | 2110 <2200> | 3800 | 110 | 110 | 6 | 12 | 4000 [3500] | 6 | 12 | 4000 [3500] | |
| | | 3300 | 2290 <2350> | 4100 | 110 | 110 | 6 | 12 | 4000 [3500] | 6 | 12 | 4000 [3500] | |
| | | 3500 | 2390 <2450> | 4300 | 110 | 110 | 6 | 12 | 4000 [3500] | 6 | 12 | 4000 [3500] | |
| | | 3700 | 2490 <2600> | 4500 | 110 | 110 | 6 | 12 | 4000 [3500] | 6 | 12 | 4000 [3500] | |
| | | 4000 | 2740 <2800> | 4800 | 110 | 110 | 6 | 12 | 4000 [3500] | 6 | 12 | 4000 [3500] | |
| | | 4500 | 2990 <3050> | 5300 | 110 | 110 | 6 | 12 | 4000 [3500] | 6 | 12 | 4000 [3500] | |
| | | | 5000 | 3240 <3300> | 5800 | 110 | 110 | 6 | 6 | <3800 [3500]> <3700 [3450]> | 6 | 12 | 3800 [3500] |
| | | FV | 3000 | 2110 | 3830 | 1280 | 890 | 6 | 12 | 4000 [3500] | 6 | 12 | 4000 [3500] |
| | | | 3300 | 2290 | 4130 | 1460 | 1070 | 6 | 12 | 4000 [3500] | 6 | 12 | 4000 [3500] |
| | | | 3500 | 2390 | 4330 | 1560 | 1170 | 6 | 12 | 4000 [3500] | 6 | 12 | 4000 [3500] |
| | | | 3700 | 2490 | 4530 | 1660 | 1270 | 6 | 12 | 4000 [3500] | 6 | 12 | 4000 [3500] |
| | | | 4000 | 2740 | 4830 | 1910 | 1520 | 6 | 12 | 4000 [3500] | 6 | 12 | 4000 [3500] |
| | | FSV | 3700 | 1890 | 4530 | 1060 | 670 | 6 | 6 | 4000 [3500] | 6 | 6 | 4000 [3500] |
| | | | 4000 | 1990 | 4830 | 1160 | 770 | 6 | 6 | 4000 [3500] | 6 | 6 | 4000 [3500] |
| | | | 4300 | 2110 | 5130 | 1280 | 890 | 6 | 6 | 3800 [3500] | 6 | 6 | 3800 [3500] |
| | | | 4500 | 2225 | 5330 | 1395 | 1005 | 6 | 6 | 3700 [3500] | 6 | 6 | 3700 [3500] |
| | | | 4700 | 2290 | 5530 | 1460 | 1070 | 6 | 6 | 3700 [3500] | 6 | 6 | 3700 [3500] |
| | | | 5000 | 2390 | 5830 | 1560 | 1170 | 6 | 6 | 3600 [3400] | 6 | 6 | 3600 [3400] |
| | | 5500 | 2540 | 6330 | 1710 | 1320 | 6 | 6 | 3000 [2800] | 6 | 6 | 3500 [3300] | |
| | | 6000 | 2740 | 6830 | 1910 | 1520 | 6 | 6 | 2200 [2100] | 6 | 6 | 3400 [3200] | |

Note: Height of standard load backrest is 1220 mm; h_4 for standard load backrest is +420 mm (V), +390 mm (FV), +390 mm (FSV)
 Data between "<" ">" is for heavy-duty mast
 Lower fork heights available.

4,000 - 5,000 kg, at 600 mm LCP

MAIN VEHICLE SPECIFICATIONS

| | | | | TOYOTA | TOYOTA | TOYOTA | TOYOTA | TOYOTA | TOYOTA | |
|-----------------|--|--|---|-----------------|-------------------------|-------------------------|--------------------------|--------------------------|-----------------|-----------------|
| Characteristics | 1.1 | Manufacturer | | | TOYOTA | TOYOTA | TOYOTA | TOYOTA | TOYOTA | |
| | 1.2 | Model | | | 02-7FG40 | 42-7FD40 | 02-7FG45 | 42-7FD45 | 02-7FGA50 | 42-7FDA50 |
| | 1.3 | Power | | | gasoline | diesel | gasoline | diesel | gasoline | diesel |
| | 1.4 | Operator Type | | | rider seated | rider seated | rider seated | rider seated | rider seated | rider seated |
| | 1.5 | Load capacity/rated load | Q | kg | 4500 [4000] | 4500 [4000] | 5000 [4500] | 5000 [4500] | 5000 | 5000 |
| | 1.6 | Load centre | c | mm | 500 [600] | 500 [600] | 500 [600] | 500 [600] | 600 | 600 |
| | 1.8 | Load distance, centre of drive axle to fork | x | mm | 555 | 555 | 575 | 575 | 570 | 570 |
| | 1.9 | Wheelbase | y | mm | 2000 | 2000 | 2000 | 2000 | 2000 | 2000 |
| | Weight | 2.1 | Truck weight ¹⁾ | | kg | 6220 | 6350 | 6610 | 6770 | 7230 |
| 2.2 | | Axle loadings, laden front/rear | | kg | 9570/1150 ²⁾ | 9600/1250 ¹⁾ | 10480/1130 ³⁾ | 10540/1230 ³⁾ | 10970/1260 | 11040/1350 |
| 2.3 | | Axle loadings, unladen front/rear | | kg | 2680/3540 | 2710/3640 | 2740/3870 | 2800/3970 | 3050/4180 | 3110/4280 |
| Tyres, chassis | 3.1 | Tyres - pneumatic (P), pneumatic shaped cushion (SE), solid rubber (R) | | | P | P | P | P | P | P |
| | 3.2 | Tyre size - front | | | 300-15-18PR(I) | 300-15-18PR(I) | 300-15-18PR(I) | 300-15-18PR(I) | 300-15-18PR(I) | 300-15-18PR(I) |
| | 3.3 | Tyre size - rear | | | 7.00-12-12PR(I) | 7.00-12-12PR(I) | 7.00-12-12PR(I) | 7.00-12-12PR(I) | 7.00-12-14PR(I) | 7.00-12-14PR(I) |
| | 3.5 | Wheels - number front/rear (x = driven wheels) | | | 2x/2 | 2x/2 | 2x/2 | 2x/2 | 2x/2 | 2x/2 |
| | 3.6 | Tread - front | b ₁₀ | mm | 1150 | 1150 | 1150 | 1150 | 1150 | 1150 |
| | 3.7 | Tread - rear | b ₁₁ | mm | 1090 | 1090 | 1090 | 1090 | 1150 | 1150 |
| | Dimensions | 4.1 | Tilt of mast/fork carriage forward/backward | α/β | deg | 6/12 | 6/12 | 6/12 | 6/12 | 6/12 |
| 4.2 | | Height, mast lowered | h ₁ | mm | 2110 | 2110 | 2200 | 2200 | 2450 | 2450 |
| 4.3 | | Free lift | h ₂ | mm | 115 | 115 | 115 | 115 | 120 | 120 |
| 4.4 | | Lift | h ₃ | mm | 3000 | 3000 | 3000 | 3000 | 3000 | 3000 |
| 4.5 | | Height, mast extended | h ₄ | mm | 4220 | 4220 | 4220 | 4220 | 4370 | 4370 |
| 4.7 | | Height of overhead guard | h ₆ | mm | 2285 | 2285 | 2285 | 2285 | 2285 | 2285 |
| 4.8 | | Seat height | h ₇ | mm | 1205 | 1205 | 1205 | 1205 | 1205 | 1205 |
| 4.12 | | Coupling height | h ₁₀ | mm | 370 | 370 | 370 | 370 | 370 | 370 |
| 4.19 | | Overall length | l ₁ | mm | 4135 | 4135 | 4200 | 4200 | 4390 | 4390 |
| 4.20 | | Length to face of forks | l ₂ | mm | 3065 | 3065 | 3130 | 3130 | 3170 | 3170 |
| 4.21 | | Overall width | b ₁ | mm | 1450 | 1450 | 1450 | 1450 | 1450 | 1450 |
| 4.22 | | Fork dimensions | s/e/l | mm | 55/140/1070 | 55/140/1070 | 55/140/1070 | 55/140/1070 | 63/150/1220 | 63/150/1220 |
| 4.23 | | Fork carriage DIN 15 173, class/type A,B | | | III | III | III | III | IV | IV |
| 4.24 | | Fork carriage width | b ₃ | mm | 1170 | 1170 | 1170 | 1170 | 1170 | 1170 |
| 4.31 | | Ground clearance, laden, below mast | m ₁ | mm | 140 | 140 | 140 | 140 | 140 | 140 |
| 4.32 | | Ground clearance, centre of wheelbase | m ₂ | mm | 280 | 280 | 280 | 280 | 285 | 285 |
| 4.33 | | Aisle width for pallets 1000x1200 wide* | A _{st} | mm | 4455 | 4455 | 4525 | 4525 | 4570 | 4570 |
| 4.34 | Aisle width for pallets 800x1200 long* | A _{sl} | mm | 4655 | 4655 | 4725 | 4725 | 4770 | 4770 | |
| 4.35 | Turning radius | W _a | mm | 2700 | 2700 | 2750 | 2750 | 2800 | 2800 | |
| 4.36 | Internal turning radius | b ₁₃ | mm | 880 | 880 | 880 | 880 | 880 | 880 | |
| Performance | 5.1 | Travel speed, laden/unladen | | km/h | 24/24.5 | 23.5/24 | 23.5/24 | 23.5/24 | 23.5/24 | 23.5/24 |
| | 5.2 | Lift speed, laden/unladen | | m/s | 0.51/0.55 | 0.51/0.55 | 0.44/0.48 | 0.48/0.52 | 0.44/0.48 | 0.48/0.52 |
| | 5.3 | Lowering speed, laden/unladen | | m/s | 0.50/0.55 | 0.50/0.55 | 0.50/0.50 | 0.50/0.50 | 0.50/0.50 | 0.50/0.50 |
| | 5.6 | Max. drawbar pull, laden/unladen | | N | 36300/15700 | 36300/15700 | 36300/16700 | 36300/16700 | 36300/17600 | 36300/17600 |
| | 5.7 | Gradeability, laden ²⁾ | | % | 34 | 35 | 30 | 32 | 28 | 29 |
| | 5.8 | Max. gradeability, laden/unladen ³⁾ | | % | 38/22 | 39/22 | 34/22 | 35/22 | 31/22 | 32/22 |
| | 5.9 | Acceleration time, laden/unladen | | s | | | | | | |
| 5.10 | Service brake | | | | hydraulic | hydraulic | hydraulic | hydraulic | hydraulic | |
| Engine | 7.1 | Engine manufacturer/type | | | TOYOTA 1FZ | TOYOTA 14Z | TOYOTA 1FZ | TOYOTA 14Z | TOYOTA 1FZ | TOYOTA 14Z |
| | 7.2 | Engine power acc to ISO 1585 | | kW | 62 | 56 | 62 | 56 | 62 | 56 |
| | 7.3 | Rated speed | | 1/min | 2100 | 2100 | 2100 | 2100 | 2100 | 2100 |
| | 7.4 | No. of cylinders/displacement | | cm ³ | 6/4476 | 6/5204 | 6/4476 | 6/5204 | 6/4476 | 6/5204 |
| | 7.5 | Fuel consumption acc to VDI cycle | | l/h | | | | | | |
| Others | 8.2 | Operating pressure for attachments | | bar | 181 | 181 | 181 | 181 | 181 | 181 |
| | 8.3 | Oil volume for attachments | | l/min | 95 | 98 | 95 | 106 | 95 | 106 |
| | 8.4 | Sound level at the driver's ear according to EN 12 053 | | dB(A) | 82 | 83 | 82 | 83 | 82 | 83 |
| | 8.5 | Towing coupling, type DIN | | | | | | | | |

* aisle width calculation based on VDI 2198

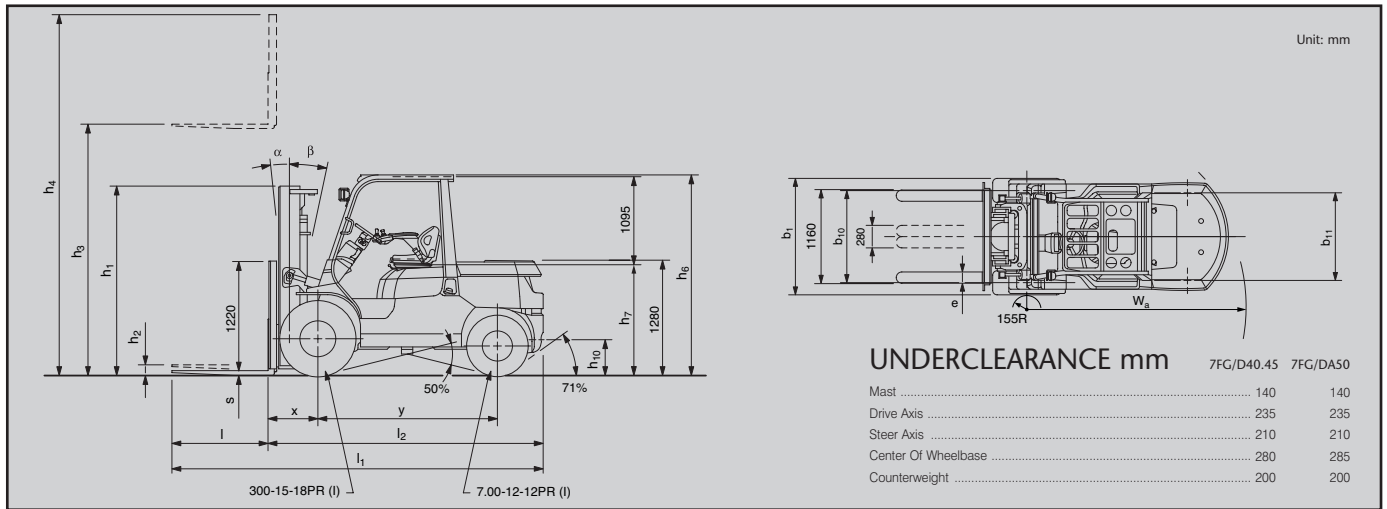
¹⁾ With 600 mm load center: 7FG40 = 8990/1230 mm; 7FD40 = 9020/1330 mm; 7FG45 = 9880/1230 mm; 7FD45 = 9940/1330 mm

²⁾ At 1,5km/h

³⁾ Computed values

7FG/D40, 7FG/D45, 7FG/DA50

DIMENSIONAL DRAWINGS



SPECIAL TREAD

| Model | 7FG/7FD40 | | | 7FG/7FD45 & 7FGA/7FDA50 | | |
|------------------------|-----------------|---------------------|------------------|-------------------------|---------------------|------------------|
| Front Tyre Single/Dual | Single | Single | Dual | Single | Single | Dual |
| Front Tyre Size | 300-15-18PR (I) | 32x12.1-15-20PR (I) | 8.25-15-12PR (I) | 300-15-18PR (I) | 32x12.1-15-20PR (I) | 8.25-15-12PR (I) |
| Overall Width | mm 1450 | 1465 | 1890 | 1445 | 1465 | 1890 |
| Tread, Front | mm 1150 | 1150 | 1385 | 1150 | 1150 | 1385 |

MAST SPECIFICATION & RATED CAPACITIES

| Model | Mast Type | Maximum Fork Height | Overall Height | | Free Lift | | Single Tyre | | | Dual Tyre | | |
|----------|-----------|---------------------|----------------|--------------------------------|-----------------------|-----------------------------|-------------|-------------|-------------------------------------|------------|-------------|-------------------------------------|
| | | | Lowered | Extended Without Load Backrest | Without Load Backrest | With Standard Load Backrest | Tilt Range | | Load Capacity at 500 mm [600mm] LCP | Tilt Range | | Load Capacity at 500 mm [600mm] LCP |
| | | | | | | | FWD | BWD | | FWD | BWD | |
| | | h_3 | h_1 | h_4 | h_2 | h_2 | deg | deg | kg | deg | deg | kg |
| | | mm | mm | mm | mm | mm | | | | | | |
| 7FG/D40 | V | 3000 | 2110 <2200> | 3795 | 115 | 115 | 6 | 12 | 4500 [4000] | 6 | 12 | 4500 [4000] |
| | | 3300 | 2290 <2350> | 4095 | 115 | 115 | 6 | 12 | 4500 [4000] | 6 | 12 | 4500 [4000] |
| | | 3500 | 2390 <2450> | 4295 | 115 | 115 | 6 | 12 | 4500 [4000] | 6 | 12 | 4500 [4000] |
| | | 3700 | 2490 <2600> | 4495 | 115 | 115 | 6 | 12 | 4500 [4000] | 6 | 12 | 4500 [4000] |
| | | 4000 | 2740 <2800> | 4795 | 115 | 115 | 6 | 12 | 4500 [4000] | 6 | 12 | 4500 [4000] |
| | | 4500 | 2990 <3050> | 5295 | 115 | 115 | 6 | 12 | 4500 [4000] | 6 | 12 | 4500 [4000] |
| | FV | 5000 | 3240 <3300> | 5795 | 115 | 115 | 6 | 6 | 4200 [4000] | 6 | 12 | 4400 [4000] |
| | | 3000 | 2110 | 3825 | 1285 | 895 | 6 | 12 | 4500 [4000] | 6 | 12 | 4500 [4000] |
| | | 3300 | 2290 | 4125 | 1465 | 1075 | 6 | 12 | 4500 [4000] | 6 | 12 | 4500 [4000] |
| | | 3500 | 2390 | 4325 | 1605 | 1175 | 6 | 12 | 4500 [4000] | 6 | 12 | 4500 [4000] |
| | | 3700 | 2490 | 4525 | 1665 | 1275 | 6 | 12 | 4500 [4000] | 6 | 12 | 4500 [4000] |
| | | 4000 | 2740 | 4825 | 1915 | 1525 | 6 | 12 | 4500 [4000] | 6 | 12 | 4500 [4000] |
| FSV | 3700 | 1890 | 4525 | 1065 | 675 | 6 | 6 | 4500 [4000] | 6 | 6 | 4500 [4000] | |
| | 4000 | 1990 | 4825 | 1165 | 775 | 6 | 6 | 4500 [4000] | 6 | 6 | 4500 [4000] | |
| | 4300 | 2110 | 5125 | 1285 | 895 | 6 | 6 | 4500 [4000] | 6 | 6 | 4500 [4000] | |
| | 4500 | 2225 | 5325 | 1400 | 1010 | 6 | 6 | 4500 [4000] | 6 | 6 | 4500 [4000] | |
| | 4700 | 2290 | 5525 | 1465 | 1075 | 6 | 6 | 4500 [4000] | 6 | 6 | 4500 [4000] | |
| | 5000 | 2390 | 5825 | 1565 | 1175 | 6 | 6 | 4400 [4000] | 6 | 6 | 4400 [4000] | |
| 7FG/D45 | V | 5500 | 2540 | 6325 | 1715 | 1325 | 6 | 6 | 3500 [3500] | 6 | 6 | 4200 [4000] |
| | | 6000 | 2740 | 6825 | 1915 | 1525 | 6 | 6 | 2700 [2700] | 6 | 6 | 3300 [3000] |
| | | 3000 | 2200 | 3670 | 115 | 115 | 6 | 12 | 5000 [4500] | 6 | 12 | 5000 [4500] |
| | | 3300 | 2350 | 3970 | 115 | 115 | 6 | 12 | 5000 [4500] | 6 | 12 | 5000 [4500] |
| | | 3500 | 2450 | 4170 | 115 | 115 | 6 | 12 | 5000 [4500] | 6 | 12 | 5000 [4500] |
| | | 3700 | 2600 | 4370 | 115 | 115 | 6 | 12 | 5000 [4500] | 6 | 12 | 5000 [4500] |
| | FV | 4000 | 2800 | 4670 | 115 | 115 | 6 | 12 | 5000 [4500] | 6 | 12 | 5000 [4500] |
| | | 4500 | 3050 | 5170 | 115 | 115 | 6 | 6 | 5000 [4500] | 6 | 12 | 5000 [4500] |
| | | 5000 | 3300 | 5670 | 115 | 115 | 6 | 6 | 4000 [4000] | 6 | 12 | 4600 [4400] |
| | | 3000 | 2200 | 3700 | 1500 | 980 | 6 | 12 | 5000 [4500] | 6 | 12 | 5000 [4500] |
| | | 3300 | 2350 | 4000 | 1650 | 1130 | 6 | 12 | 5000 [4500] | 6 | 12 | 5000 [4500] |
| | | 3500 | 2450 | 4200 | 1750 | 1230 | 6 | 12 | 5000 [4500] | 6 | 12 | 5000 [4500] |
| FSV | 3700 | 2600 | 4400 | 1900 | 1380 | 6 | 12 | 5000 [4500] | 6 | 12 | 5000 [4500] | |
| | 4000 | 2800 | 4700 | 2100 | 1580 | 6 | 12 | 5000 [4500] | 6 | 12 | 5000 [4500] | |
| | 4300 | 2050 | 4400 | 1350 | 830 | 6 | 6 | 5000 [4500] | 6 | 6 | 5000 [4500] | |
| | 4500 | 2120 | 4700 | 1420 | 900 | 6 | 6 | 5000 [4500] | 6 | 6 | 5000 [4500] | |
| | 4700 | 2200 | 5000 | 1500 | 980 | 6 | 6 | 4900 [4500] | 6 | 6 | 4900 [4500] | |
| | 5000 | 2270 | 5200 | 1570 | 1050 | 6 | 6 | 4500 [4200] | 6 | 6 | 4700 [4400] | |
| 7FG/DA50 | V | 4700 | 2350 | 5400 | 1650 | 1130 | 6 | 6 | 4500 [4200] | 6 | 6 | 4700 [4400] |
| | | 5000 | 2450 | 5700 | 1750 | 1230 | 6 | 6 | 4000 [4000] | 6 | 6 | 4600 [4300] |
| | | 5500 | 2600 | 6200 | 1900 | 1380 | 6 | 6 | 3000 [3000] | 6 | 6 | 4400 [4100] |
| | | 6000 | 2800 | 6700 | 2100 | 1580 | 6 | 6 | 2300 [2300] | 6 | 6 | 4200 [3900] |
| | | 3000 | 2450 | 3845 | 120 | 120 | 6 | 12 | 5000 | 6 | 12 | 5000 |
| | | 3300 | 2600 | 4145 | 120 | 120 | 6 | 12 | 5000 | 6 | 12 | 5000 |
| | FSV | 3500 | 2800 | 4345 | 120 | 120 | 6 | 12 | 4900 | 6 | 12 | 5000 |
| | | 3700 | 2800 | 4545 | 120 | 120 | 6 | 12 | 5000 | 6 | 12 | 5000 |
| | | 4000 | 3050 | 4845 | 120 | 120 | 6 | 12 | 5000 | 6 | 12 | 5000 |
| | | 4500 | 3300 | 5345 | 120 | 120 | 6 | 6 | 5000 | 6 | 12 | 5000 |
| | | 5000 | 3550 | 5845 | 120 | 120 | 6 | 6 | 4000 | 6 | 12 | 4800 |
| | | 3700 | 2200 | 4570 | 1330 | 830 | 6 | 6 | 5000 | 6 | 6 | 5000 |
| FSV | 4000 | 2270 | 4870 | 1400 | 900 | 6 | 6 | 4900 | 6 | 6 | 4900 | |
| | 4300 | 2350 | 5170 | 1480 | 980 | 6 | 6 | 4800 | 6 | 6 | 4800 | |
| | 4700 | 2450 | 5570 | 1580 | 1080 | 6 | 6 | 4300 | 6 | 6 | 4600 | |
| | 5000 | 2600 | 5870 | 1730 | 1230 | 6 | 6 | 4100 | 6 | 6 | 4500 | |
| | 5500 | 2800 | 6370 | 1930 | 1430 | 6 | 6 | 3100 | 6 | 6 | 4300 | |
| | 6000 | 3050 | 6870 | 2180 | 1680 | 6 | 6 | 2400 | 6 | 6 | 4100 | |

Note: Height of standard load backrest is 1220 mm (7FG/D40.45); 1370 (7FG/DA50);
 h_4 with standard load backrest is + 425/550/525 mm (7FG/D40/45/50 V), + 395/520 mm (7FG/D40/45 FV), + 395/520/500 mm (7FG/D40/45/50 FSV)
 Data between "<" ">" is for heavy-duty mast

7FGF15.18.20.25.30, 7FGJF35
7FDF15.18.20.25.30, 7FDJF35

- Toyota SAS (System of Active Stability*)
- Toyota OPS (Operator Presence Sensing)
- Toyota OTC (Operator Total Care):
 - Toyota ORS (Operator Restraint System) seat
 - Seat mounted minilevers (optional)
 - D2 pedal (optional)
- Wide visible mast [MFH: 3000 mm]
- Load backrest [Height: 1220 mm]
- Long forks [Length: 1000 mm]
- Long forkbar [Length: 920 mm (7FG/DF15.18); 1020 mm (7FG/DF20.25); 1070 mm (7FG/DF30, 7FG/DJF35)]
- 3-way valve (A400)
- Dual brake system
- Pneumatic tyres
- Full hydraulic power steering
- 7" cyclone air cleaner with snorkel air intake
- Anti-restart ignition key switch
- Headlights
- Rear combination lights
- Integrated monitoring center
- Memory tilt steering column

7FG35.40.45, 7GA50
7FD35.40.45, 7DA50

- Toyota SAS (System of Active Stability*)
- Toyota OPS (Operator Presence Sensing)
- Toyota OTC (Operator Total Care):
 - Toyota ORS (Operator Restraint System) seat
 - Seat mounted minilevers (optional)
 - D2 pedal (optional)
- Wide visible mast [MFH: 3000 mm]
- Load backrest [Height: 1220 mm (7FG/D35.40.45); 1370 mm (7FG/DA50)]
- Long forks [Length: 1070 mm (7FG/D35.40.45); 1220 mm (7FG/DA50)]
- Long forkbar [Length: 1170 mm]
- 2-way valve
- Dual brake system
- Pneumatic tyres
- Full hydraulic power steering
- 8" cyclone air cleaner with snorkel air intake
- Headlights
- Integrated monitoring center
- Memory tilt steering column

NOTE: * When dual tyres are selected, the Active Control Rear Stabilizer function of the SAS system of Active Stability (SAS) is not included.

The data in this spec sheet was determined based on our standard testing condition. Operating performance may vary depending on the actual specification and condition of the truck as well as the condition of the operating area. Availability and specifications are determined regionally and are subject to change without notice. Please consult your Toyota representative for details.