

PC12R-8

PC15R-8

PC27R-8

PC35R-8

PC45R-8

PC60-7

THINK BIG



KOMATSU[®]

Experience Komatsu smoothness in a complete line of compact excavators

For top performance, reliability and technology, contractors around the globe turn to easy-to-use Komatsu excavators, the worldwide leader. Now, Komatsu quality — including the ultra-smooth HydraMind hydraulic control system — is available in a size that goes almost anywhere. And without putting a squeeze on your budget.

LCD monitor

Displays oil pressure, battery condition and fuel level at a glance, as well as various alarm and diagnostic functions. (Not included on PC12 and PC15.)



Walk-through design

Makes it easy to get on or off the machine from either side.



Hinged boom

In addition to 360° rotation of the entire chasis, the boom swings 90° to the left, and 50° to the right.



Rust-free fuel tank

Light and easy-to-remove, with a special curved design for easy cleaning.



Built-in hydraulics

Built-in hoses serving the bucket, boom and blade cylinders ensure protection from chafing.

Steel or rubber tracks
Choose between quiet, smooth-rolling rubber tracks or durable, easy-to-replace steel tracks.

Large rear bumper
Komatsu Avance compact excavators feature the largest bumpers in the industry to protect against bumps and scrapes in tight working areas.



PC12R-8

- Operating weight: 3,060 lbs.
- Flywheel hp: 13.8 (2,450 rpm)
- 16", 1.4 cu. ft. bucket
- Rubber tracks standard



PC15R-8

- Operating weight: 3,400 lbs.
- Flywheel hp: 15.0 (2,600 rpm)
- 18", 1.6 cu. ft. bucket
- Rubber tracks standard



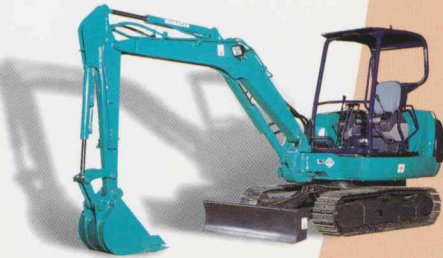
PC27R-8

- Operating weight: 6,370 lbs.
- Flywheel hp: 25.6 (2,600 rpm)
- 20", 2.7 cu. ft. bucket
- Rubber tracks standard



PC35R-8

- Operating weight: 7,660 lbs.
- Flywheel hp: 27.6 (2,500 rpm)
- 24", 3.8 cu. ft. bucket
- Steel tracks standard



PC45R-8

- Operating weight: 10,080 lbs.
- Flywheel hp: 37.9 (2,500 rpm)
- 26", 5.7 cu. ft. bucket
- Steel tracks standard



PC60-7 PC60-7B WITH BLADE

- Operating weight: 14,130 lbs.
- Flywheel hp: 54.0 (1,750 rpm)
- 30", 10 cu. ft. bucket
- Triple-grouser steel tracks

Exclusive HydraMind hydraulics

HydraMind is an advanced hydraulic control system that provides the operator with unbeatable "feel" and precision control. By automatically providing just the right combination of speed and power, even the most complex operations can be tackled with maximum speed and efficiency. It's one of the features that has helped make our full-size excavators so popular around the world. And that makes our compact machines work bigger than they look.

Easy-to-use PPC joysticks

Another advanced feature is the Proportional-Pressure Control (PPC) joysticks. Easy to learn and easy to use, PPC controls help operators of all skill levels work precisely and efficiently all day long — with minimum operator effort.

Easy maintenance

To make it easy to keep them up and running when you need them, Komatsu compact excavators are equipped with a variety of easy maintenance features, including:

- Easy-to-read diagnostic monitor
- Maintenance-free swing mechanism
- Simplified hydraulic hose replacement
- Extended grease supply interval (up to 500 hours)
- Large, shock-absorbing bumpers

Safety

The Avance compact excavators come equipped with a variety of standard safety features, including:

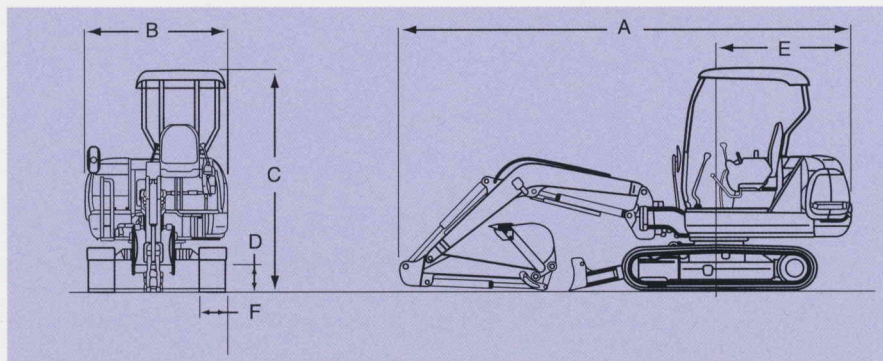
- Travel alarm
- Steering lock
- Work equipment lever stop
- Travel lock
- TOPS protection
- Swing brake

For more information about smooth operating Komatsu Avance compact excavators, contact your local Komatsu Utility distributor, or dial **1-800-KOMATSU**.

DIMENSIONS & WEIGHTS

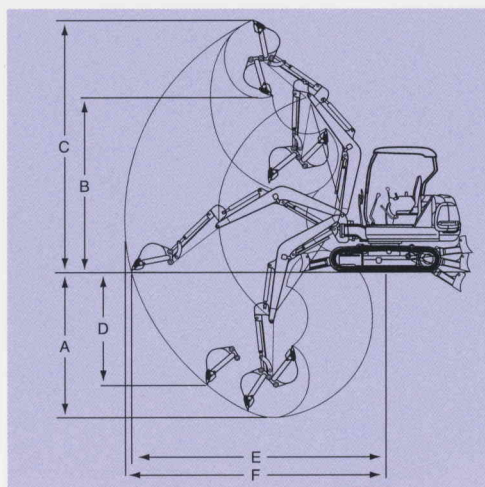
	PC12R	PC15R	PC27R	PC35R	PC45R	PC60
Operating Weight (lbs)	3,060	3,400	6,370	*7,660	*10,080	*14,130
A. Overall Length	11'6"	11'7"	14'11"	16'10"	18'2"	19'11"
B. Overall Width	3'3"	3'3"	4'8"	5'1"	6'7"	7'4"
C. Overall Height	7'5"	7'5"	8'	8'	8'1"	8'6"
D. Min. Ground Clearance	8"	8"	11"	12"	12"	14"
E. Tail Swing Radius	3'6"	3'6"	4'1"	4'7"	4'10"	5'9"
F. Track Width	8"	8"	12"	12"	16"	24"

* PC35, PC45 and PC60: steel tracks








WORKING RANGE

	PC12R	PC15R	PC27R	PC35R	PC45R	PC60
A. Max. Digging Depth	6'3"	7'1"	8'8"	10'4"	11'10"	13'5"
B. Max. Dumping Height	7'8"	8'1"	11'2"	12'2"	13'1"	16'5"
C. Max. Digging Height	11'	11'4"	15'5"	17'1"	18'8"	23'6"
D. Max. Vertical Digging Depth	4'11"	5'1"	7'2"	7'11"	9'3"	11'6"
E. Max. Digging Reach at Ground	11'3"	11'9"	14'11"	17'	18'8"	20'5"
F. Max Digging Reach	11'6"	12'1"	15'5"	17'4"	19'2"	20'10"
Bucket Breakout Force (lbs)	2,900	2,900	4,915	5,930	7,800	10,580



SPECIFICATIONS

	PC12R	PC15R	PC27R	PC35R	PC45R	PC60
 ENGINE						
Model	Komatsu 3D68E-3G	Komatsu 3D68E-3H	Komatsu 3D82AE-3F	Komatsu 3D84E-3F	Komatsu 4D84E-3D	Komatsu 4D102E-1-A
HP	13.8	15.0	25.6	27.6	37.9	54.0
Displacement (cu. in.)	47.8	47.8	81.2	91.3	121.8	239.1
 HYDRAULIC SYSTEM						
Type	HydrauMind CLSS	HydrauMind CLSS	HydrauMind CLSS	HydrauMind CLSS	HydrauMind CLSS	HydrauMind CLSS
Pump Type	3xGear	1xPiston 1xGear	1xPiston 1xGear	1xPiston 1xGear	1xPiston 1xGear	1xPiston
System Operating Pressure (psi)	2715	2715	3000	3560	3560	3560
Auxiliary Hydraulic Flow (gpm)	6.6	6.6	7.9	13.2	13.2	31.7
 SWING SYSTEM						
Boom Swing Angle (l/r)	90/50	90/50	90/50	90/50	90/50	N/A
Swing Speed (rpm)	8.7	8.7	8.9	9.0	9.0	12.0
 DRIVE AND BRAKES						
Travel Speed (mph)	1.3/2.5	1.6/2.9	1.5/3.0	1.7/2.9	1.7/2.9	1.7/2.8
Service Brake	Hydraulic Locking	Hydraulic Locking	Hydraulic Locking	Hydraulic Locking	Hydraulic Locking	Hydraulic Locking
Parking Brake	N/A	N/A	N/A	N/A	Oil disc brake	Oil disc brake
 UNDERCARRIAGE						
No. of Carrier Rollers	N/A	N/A	1	1	1	1
No. of Track Rollers	3	3	4	4	5	5
Ground Pressure (psi)	4.1	4.3	4.1	4.6	3.7	4.3
 COOLANT AND LUBRICANT						
Fuel Tank (gal.)	5.3	5.3	9.2	13.2	13.2	34.3
Coolant (gal.)	0.7	0.7	1.4	1.8	2.0	4.2
Engine Oil (gal.)	0.8	0.8	1.5	1.8	2.1	3.4
Hydraulic Tank (gal.)	3.4	3.4	7.7	8.7	8.7	15.1

OPTIONAL EQUIPMENT

- Auxiliary hydraulic piping (PC12-PC60)
- Long arm (PC12-PC60)
- Quick Coupler
- Steel tracks (PC12-PC45 rubber tracks standard)
- Rubber tracks (PC60 steel tracks standard)
- Road liner (PC27-PC60)
- TOPS cab with heater (PC12R-PC45R)
- Autolube system (PC60)
- Air conditioner (PC60)
- Front blade (PC12-PC45 standard) (PC60 optional)

BUCKET & ARM COMBINATION

MODEL	SAE Heaped Capacity (cu. ft.)	Bucket Width (in.)	Weight (lbs.)	Standard Bucket	Arm Selection				
					Standard		Long		
PC60-7	3.2	18"	330			○		○	
	4.6	22"	355		5'5"	○	7'5"	○	
	7.0	26"	406			○		○	
	10.0	30"	467	○		○		X	
	12.7	33"	485			△		X	
PC45R-8	1.9	14"	172			○		○	
	3.8	20"	225			○		○	
	5.7	26"	249	○	4'10"	○	6'3"	X	
	6.5	28"	262			△		X	
PC35R-8	1.6	11"	139			○		○	
	1.9	14"	139			○		○	
	3.2	20"	130		4'5"	○	5'9"	○	
	3.8	24"	170	○		○		X	
	4.6	28"	198			△		X	
PC27R-8	1.2	10"	70			○		○	
	1.6	14"	82			○		○	
	2.7	20"	101	○	3'11"	○	4'11"	X	
	3.2	24"	110			△		X	
PC15R-8	0.8	12"	46			○		○	
	1.4	16"	55		3'2"	○	4'	○	
	1.6	18"	60	○		○		X	
PC12R-8	0.8	12"	46			○		○	
	1.4	16"	55	○	2'11"	○	3'8"	X	
	1.6	18"	60			△		X	

○ General purpose use, weight up to 3040 lbs./cu. yd.
 △ Material weight up to 2020 lbs./cu. yd.
 X Not available

KOMATSU®

P.O. Box 8112
 Vernon Hills, IL 60061-8112
 Phone 847-970-4100
 Web Site: <http://www.KomatsuAmerica.com>

ÉQUIPEMENT FÉDÉRAL QUÉBEC LTÉE
 205, RUE CLÉMENT GILBERT
 CHICOUTIMI, QC
 G7H 5B1
 TÉL.: (418) 549-0022
 TÉL.: 1-800-463-6550